

BASIC COMPONENTS & LAYOUT

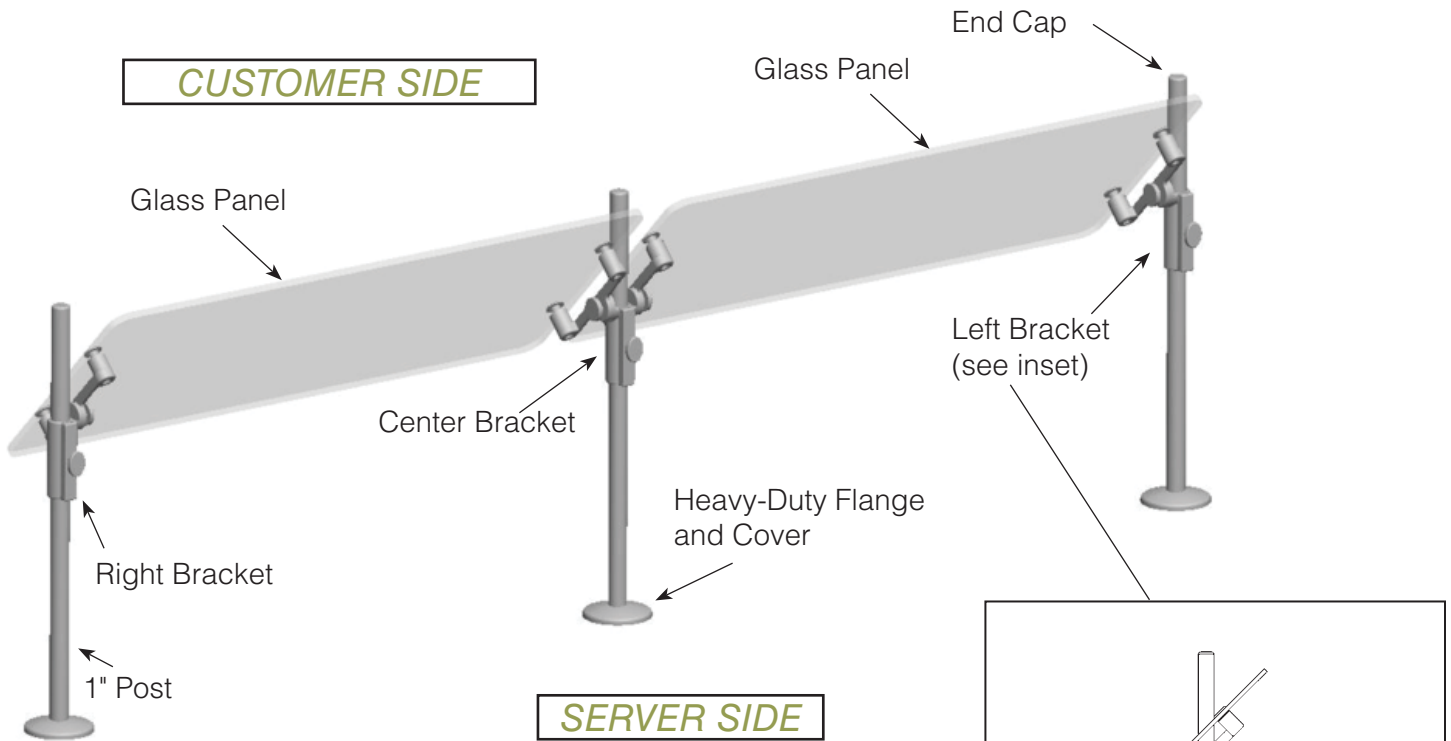


Fig. 1 shows a two-panel ZG9500 with a center bracket. Center bracket may be substituted with a stacked left/right bracket combination for a different configuration.

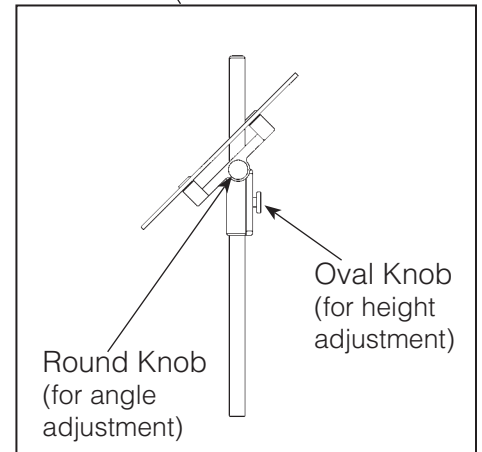


Fig. 2 shows section view of Fig. 1.

ZGUARD BRACKETS



Left Bracket Assembly



Center Bracket Assembly



Right Bracket Assembly

SEE EXPLODED VIEW AND PART NUMBERS ON PAGE 7.

ZGUARD PARTS

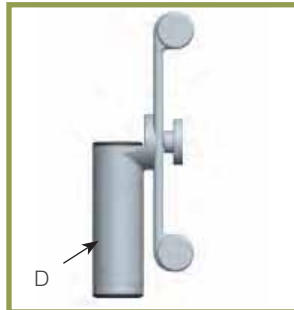
ZGUARD BRACKET ASSEMBLY AND PARTS

Full Assembly



A

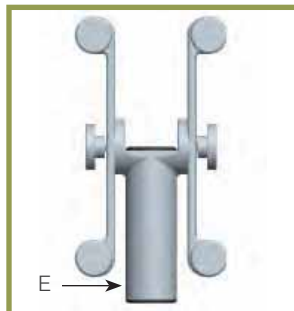
Clamp Section Only



D



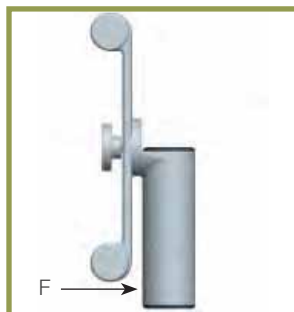
B



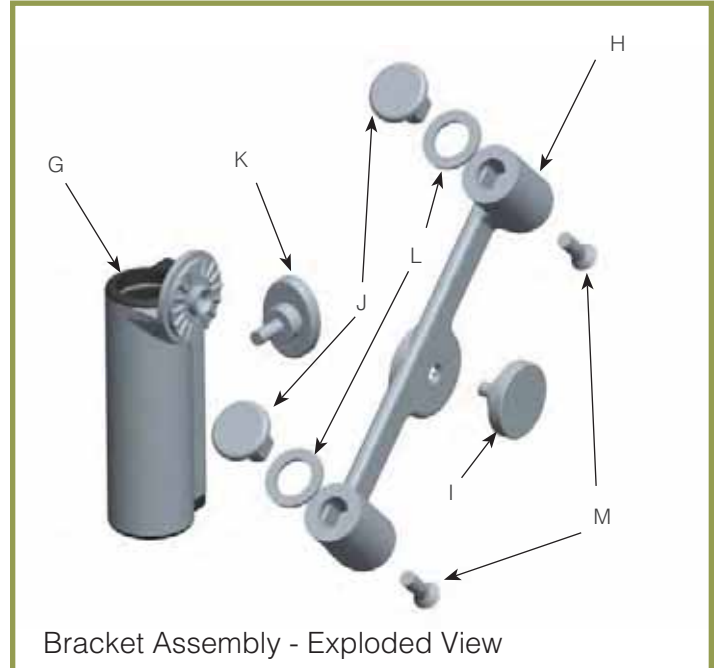
E



C



F



Bracket Assembly - Exploded View

In the event that your ZGuard product needs service and requires major repairs, contact your local installer for assistance.

If you have questions about the products or need to replace minor parts you may contact BSI, LLC at 1.800.662.9595.

Location	Part #	Part Name
A	553	Left Bracket Assembly
B	554	Center Bracket Assembly
C	555	Right Bracket Assembly
D	322	Left Post Clamp
E	424	Center Post Clamp
F	323	Right Post Clamp
G	324	Post Clamp Insert
H	321	Glass Mounting Clamp
I	326	Round Knob
J	336	Decorative Nut
K	457	Oval Knob
L	484	Clear Mylar Spacer
M		1/4-20 x 1-1/4" Machine Screw Flat Phillips

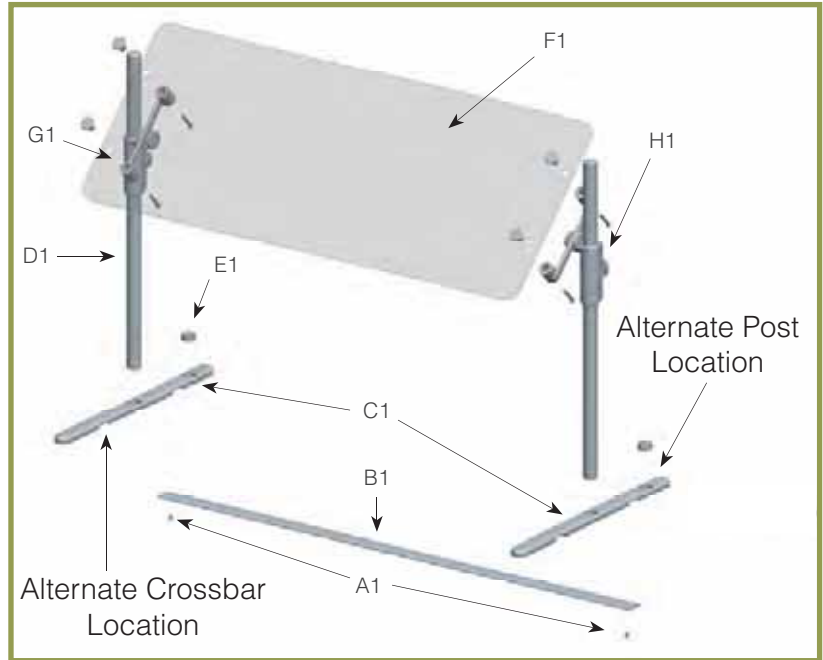
* When ordering you **MUST** designate finish/color.

ZG9600 ASSEMBLY & END PANELS

ZGUARD ZG9600 ASSEMBLY

ZG9600 Assembly Instructions

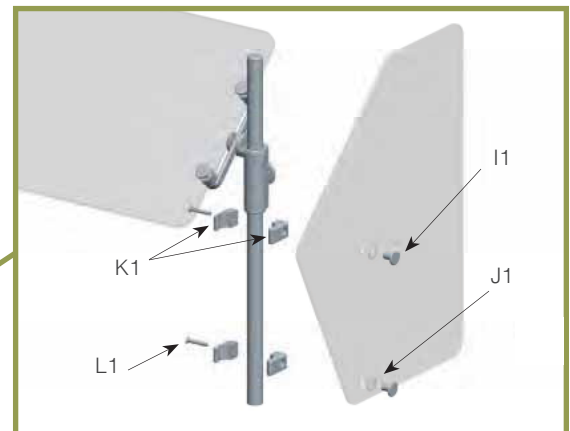
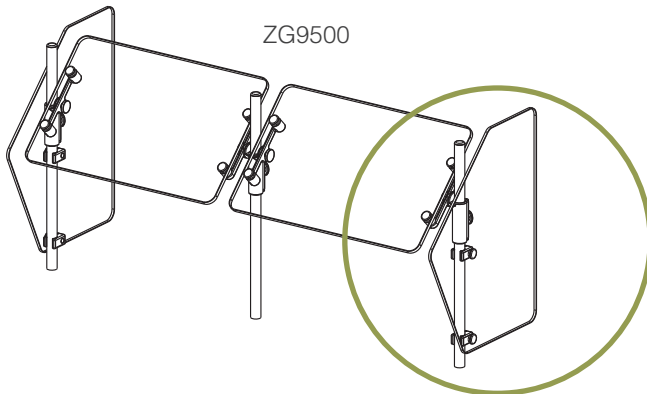
1. From the underside, use the provided screws to attach the stabilizer to each foot. There are two alternate locations for stabilizer placement.
2. Right side up, screw in the two posts.
3. In the non-used post holes screw in the provided foot plugs.
4. Affix the glass panel to the left and right bracket assemblies.
5. Slide the brackets onto the left and right post. At level height tighten bracket for secure hold.
6. Adjust glass angle and height as needed.



Location	Part #	Part Name
A1		Market Stabilizer Screw
B1	415	Market Stabilizer
C1	416	Market Style Foot
D1	348	Post
E1	361	Foot Plug
F1		Glass Panel
G1	553	Left Bracket Assembly
H1	555	Right Bracket Assembly

NSF REQUIRED END PANELS FOR ZGUARD

To meet NSF guidelines, end panels are included on all BSI quotations unless specifically excluded.



Location	Part #	Part Name
I1	336	Decorative Nut
J1	484	Clear Mylar Spacer
K1	15756	End Panel Bracket Assembly
L1		1/4-20 x 1-1/4" Machine Screw Flat Philips