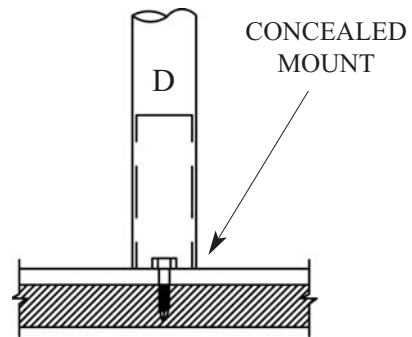
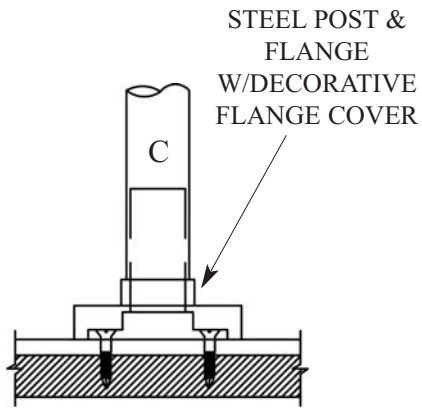
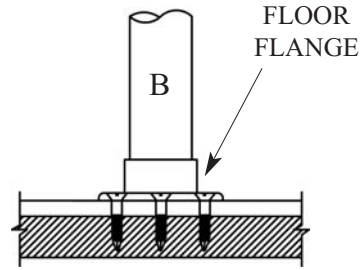
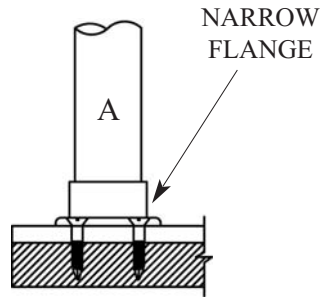


ABOVE COUNTER MOUNTS FOR MILLWORK COUNTERS

* Not for Cantilever Units *
 * Millwork by Others *

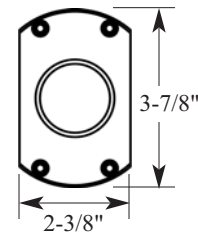
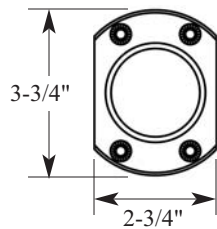


FLANGE AND COVER SPECIFICATIONS

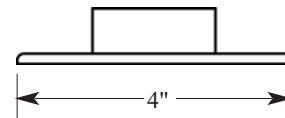
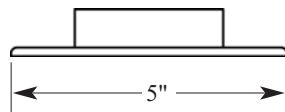
FOR 2" TUBING

FOR 1-1/2" TUBING

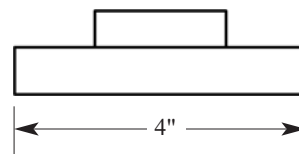
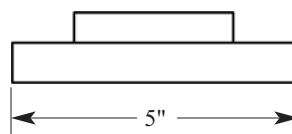
NARROW FLANGES



FLOOR FLANGES

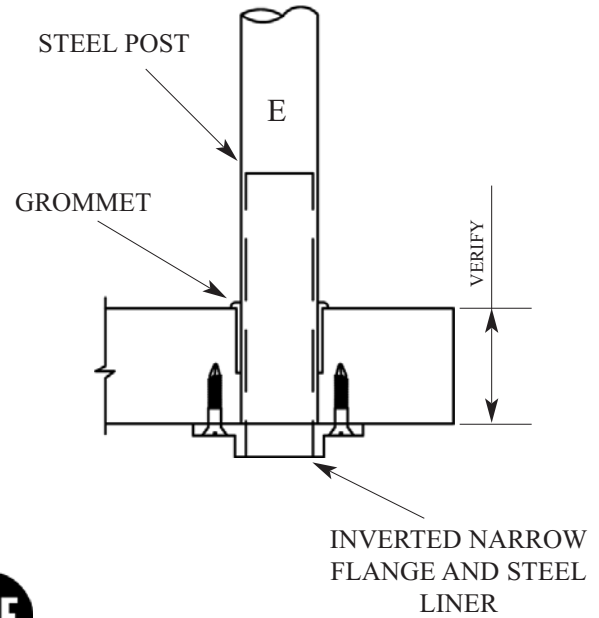
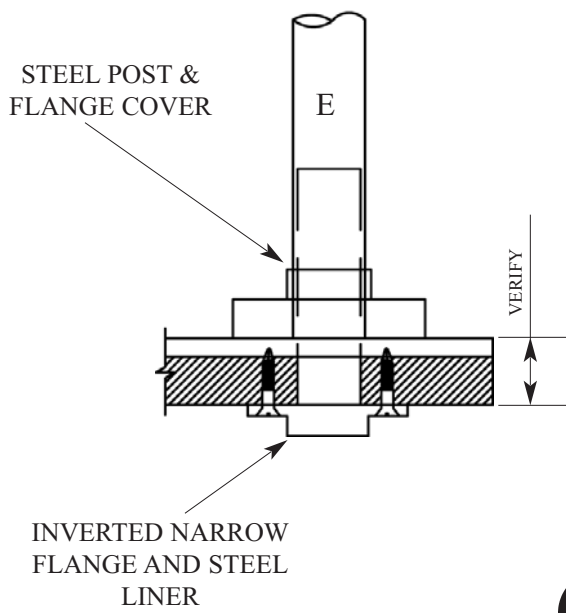


FLANGE COVERS



BELOW COUNTER MOUNTS FOR MILLWORK COUNTERS

- Verify Counter Thickness or Under Counter Mount Depth [] Inches.
- * Suggested for Cantilever Units *
- * Millwork by Others *



BELOW COUNTER MOUNTS FOR STAINLESS STEEL COUNTERS

- Verify Counter Thickness or Under Counter Mount Depth [] Inches.
- * Suggested for Cantilever Units *
- * Fabricated Counter by Others *

