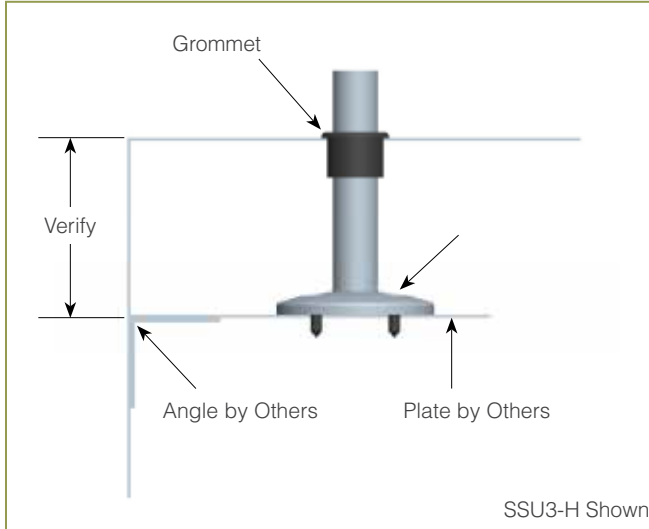
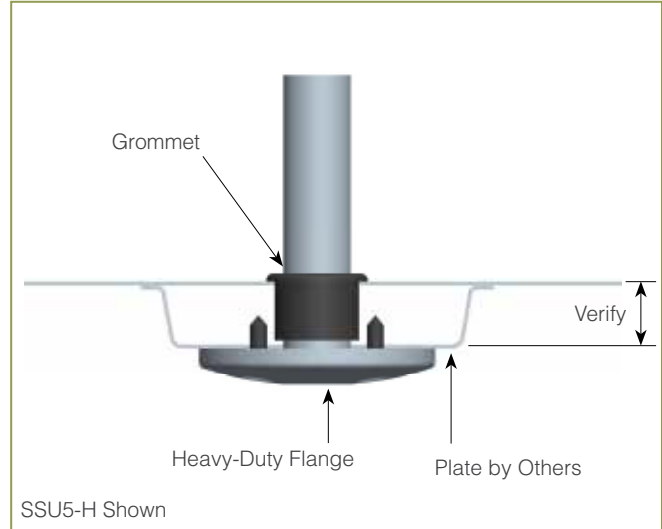


UNDER-COUNTER INSTALLATION FOR 1" ZGUARD POSTS

For Stainless Steel Counter
 (requires under-counter reinforcement and access)
SSU3: Heavy Duty Flange (-H) or Narrow Flange (-N)

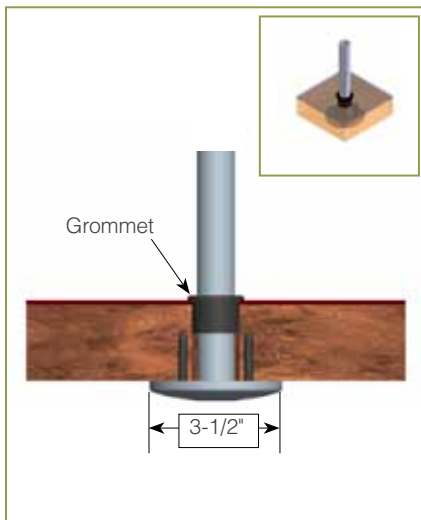


For Stainless Steel Counter
 (requires under-counter reinforcement and access)
SSU5: Heavy Duty Flange (-H) or Narrow Flange (-N)

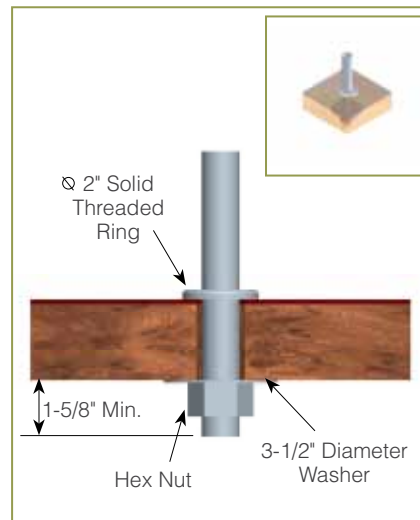


Verify Counter Thickness or Under-Counter Installation Depth in Inches

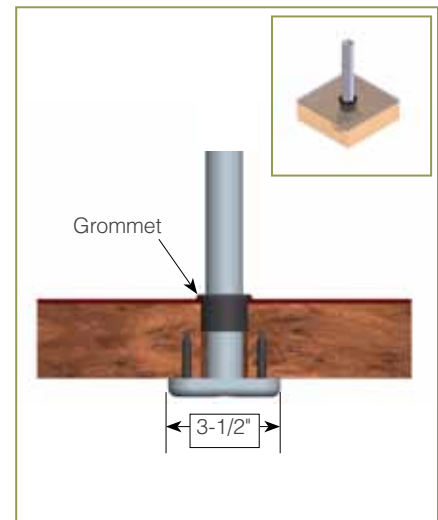
For Millwork Counter
MWU3: Heavy Duty Flange



For Millwork Counter
MWU4: Compression Installation
 (not recommended for solid surfaces)



For Millwork Counter
MWU5: Narrow Flange



Verify Counter Thickness or Under-Counter Installation Depth in Inches