

GENERAL INFORMATION

Project Name: _____

Item: _____

Quantity: _____

Model: AX7930

Length: _____

- 1" Diameter Brushed Aluminum Posts
- 3/8" Clear Tempered Front Glass Panels (max. span 66")
- 3/8" Clear Tempered Glass Top Shelf
- 1/4" Clear Tempered Glass End Panels
- 1" Radius Glass Corners
- Top Glass Clips

OPTIONS AND ACCESSORIES

NSF-LISTED FINISH OPTIONS

- Brushed Aluminum
- Stainless Steel #4 (Standard)
- Stainless Steel #8 (Chrome)
- Gloss Black
- Prismatic Brass
- Statuary Bronze
- Other _____
- Stainless Steel #4
- Matte Black
- Wrinkle Black
- Smoked Copper

GLASS FINISHES

- Clear (Standard)
- Frosted
- Pattern
- Low Iron
- Frosted Logo/Imprint

GLASS CORNERS

- 1" Radius Corners (Standard)
- Square Corners

INSTALLATION OPTIONS

See Installation Page for More Details

Above Counter: Stainless Steel Counter

Under Counter: Stainless Steel Counter

(Requires Under-Counter Reinforcement & Access)

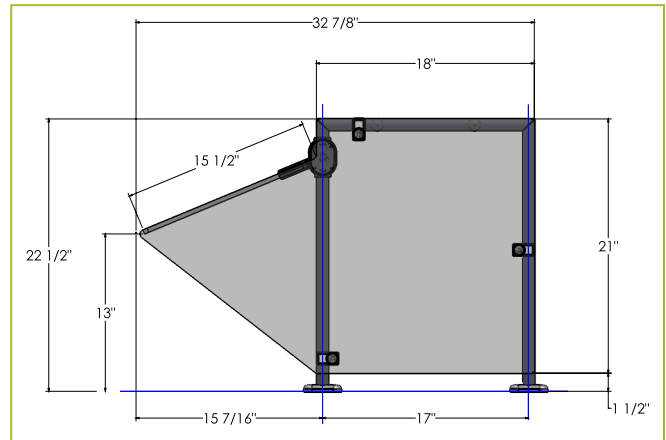
Above Counter: Millwork Counter

Under Counter: Millwork Counter

Approval Drawings Required
Specifications subject to change without notice.

AX7930

Self Serve w/Top Shelf, Dual Post



To meet NSF guidelines, end panels are included on all BSI quotations unless specifically excluded. (See end panel page for more details).

LIGHT AND WARMER OPTIONS

Model #	Description
<input type="checkbox"/> 2580	BSI Slimline LED Light
<input type="checkbox"/> 790	BSI Stealth Heat-Only Warmer
<input type="checkbox"/> 705	BSI Stealth Heat-Light Combo
<input type="checkbox"/> 500	BSI Stealth Heat-Light-Heat Combo

All BSI light and warmer units are UL Listed. See light and warmer spec sheets for detailed information. Axces is also available with other manufacturers' heat and light units. Contact BSI for details.

- SS1: EZ Mount 2" x 8" Flange
- SSU3-H: Heavy-Duty Flange
- SSU5-H: Heavy-Duty Flange
- MW1: Heavy-Duty Flange
- MWU3: Narrow Flange
- MWU4: Compression Installation (not recommended for solid surfaces)
- SSU3-N: Narrow Flange
- SSU5-N: Narrow Flange
- MW2: Narrow Flange
- MWU5: Heavy-Duty Flange

