

GENERAL INFORMATION

Project Name: _____

STANDARD SPECIFICATIONS

- 1" Diameter Post & Bracket in Brushed Stainless Steel Finish
- 3/8" Clear Tempered Front Glass Panels (max. span 66")
- 1/4" Clear Tempered Glass End Panels
- 1" Radius Glass Corners

OPTIONS AND ACCESSORIES

NSF-LISTED FINISH OPTIONS

- Brushed Stainless (Standard)
- Gloss Black

GLASS THICKNESS

- 1/4" Clear Tempered Front Glass Panels (max. span 54" - not for shelves)
- 3/8" Clear Tempered Front Glass Panels (max. span 66") (Standard)
- 1/2" Clear Tempered Front Glass Panels (max. span 72" - for shelf or span more than 66")

GLASS FINISHES

- Clear (Standard)
- Low Iron
- Frosted
- Frosted Logo/Imprint
- Pattern

GLASS CORNERS

- 1" Radius Corners (Standard)
- Square Corners

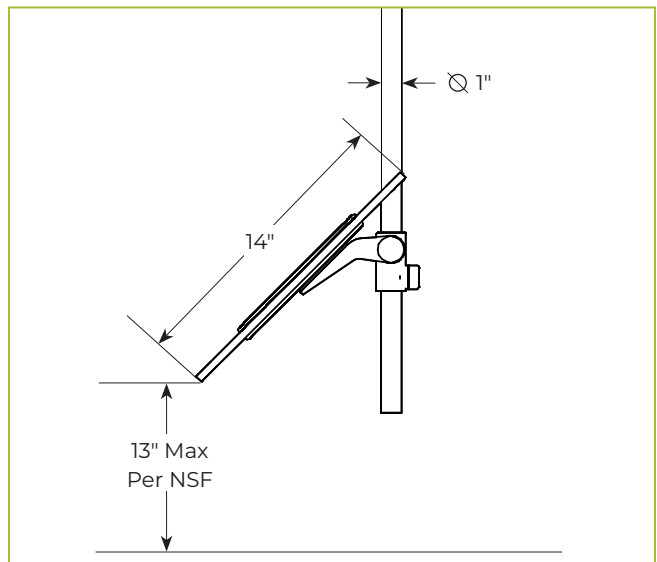
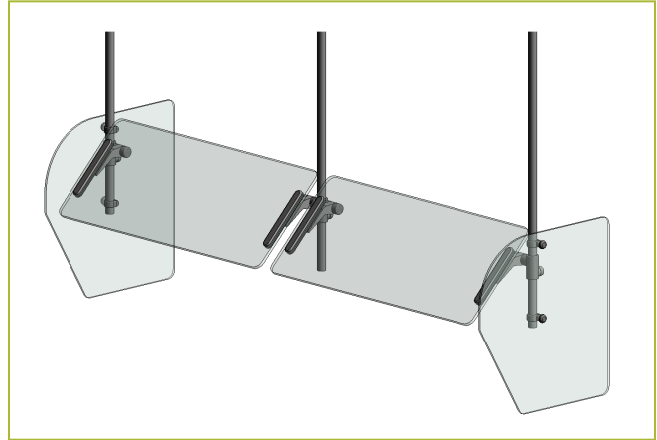
MOUNTING STYLES (SELECT ONE)

See installation page for more details.

Above Counter: Millwork Counter - Heavy-Duty Flange
Contact factory for optional installation methods.

AG2500-5

Self Serve, Ceiling Mount



To meet NSF guidelines, end panels are included on all BSI quotations unless specifically excluded. (See end panel page for more details.)