

## GENERAL INFORMATION

Project Name: \_\_\_\_\_

## STANDARD FINISH

Brushed Aluminum

## GLASS THICKNESS

1/4" Tempered Glass (not for shelves)  
Centerline Max 54"

3/8" Tempered Glass (for shelf or span more than 54")  
Centerline Max 66"

1/2" Tempered Glass (for shelf or span more than 66")  
Centerline Max 72"

*Maximum span between legs on counter is recommended at 78".*

## GLASS CORNERS

1" Radius Corner (standard)

Square Corners

## LIGHT AND WARMER OPTIONS

LED Light Unit

Linear T-5 Fluorescent Unit

BSI Stealth™ Linear Heat Only Unit

BSI Stealth™ Linear Heat and Light Combo Unit  
(Fluorescent)

BSI Stealth™ Linear Heat and Light Combo Unit (LED)

BSI Stealth™ Linear Double Heat and Light Combo Unit  
(Fluorescent)

BSI Stealth™ Linear Double Heat and Light Combo Unit  
(LED)

Hatco® Brand Heat Only Unit

Hatco® Brand Heat and Light Combo Unit

## INSTALLATION OPTIONS

(See Installation Page for more details.)

### Above-Counter

Surface Installation 720A/726A: Steel Post and  
Flange w/Flange Cover

Surface Installation 725A: Cut Flange

### Under-Counter\*

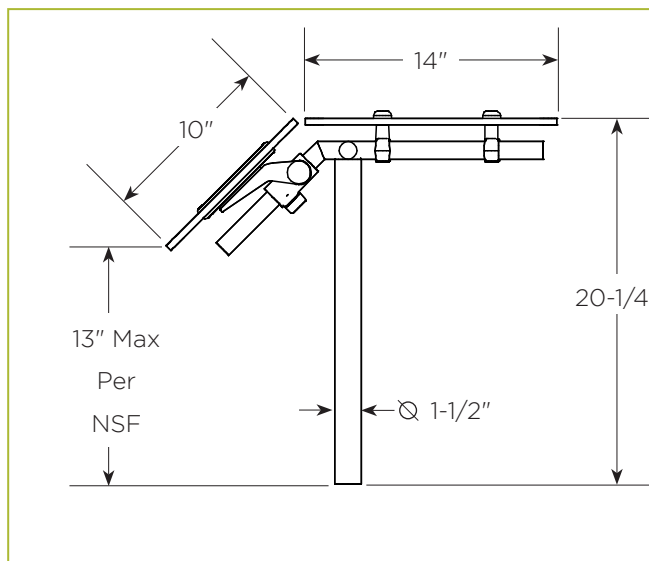
Under-Counter Installation 720A/726A: Steel  
Post and Flange w/Flange Cover or w/out Flange  
Cover

Under-Counter Installation 725A: Narrow Custom  
Flange

\* Requires Under-Counter Reinforcement and Access.

## AG2945

**EZ Span**



*To meet NSF guidelines, end panels are included on all BSI quotations unless specifically excluded. (See end panel page for more details.)*

Approval Drawings Required

Specifications subject to change without notice.

U.S. patent information is on file at BSI, LLC and available upon request.