

GENERAL INFORMATION

Project Name: _____

STANDARD SPECIFICATIONS

- 1" Diameter Post & Bracket in Brushed Stainless Steel Finish
- 3/8" Clear Tempered Front Glass Panels (max. span 66")
- 1/4" Clear Tempered Glass End Panels
- 1" Radius Glass Corners

OPTIONS AND ACCESSORIES

NSF-LISTED FINISH OPTIONS

- Brushed Stainless (Standard)
- Gloss Black

GLASS THICKNESS

- 1/4" Clear Tempered Front Glass Panels (max. span 54" - not for shelves)
- 3/8" Clear Tempered Front Glass Panels (max. span 66") (Standard)
- 1/2" Clear Tempered Front Glass Panels (max. span 72") - for shelf or span more than 66"

GLASS FINISHES

- Clear (Standard)
- Frosted
- Pattern
- Low Iron
- Frosted Logo/Imprint

GLASS CORNERS

- 1" Radius Corners (Standard)
- Square Corners

LIGHT OPTIONS

Model #	Description
<input type="checkbox"/> 2580	BSI Slimline LED Light

Contact BSI for warmer information.

All BSI light units are UL Listed. See light spec sheets for detailed information. Also available with other manufacturers' light units. Contact BSI for details.

MOUNTING STYLES (SELECT ONE)

See installation page for more details.

Above Counter: Stainless Steel Counter

Under Counter: Stainless Steel Counter
(Requires under-counter reinforcement and access.)

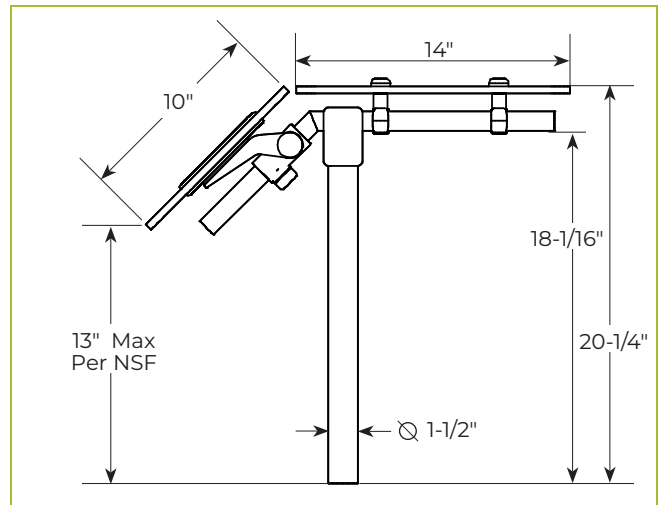
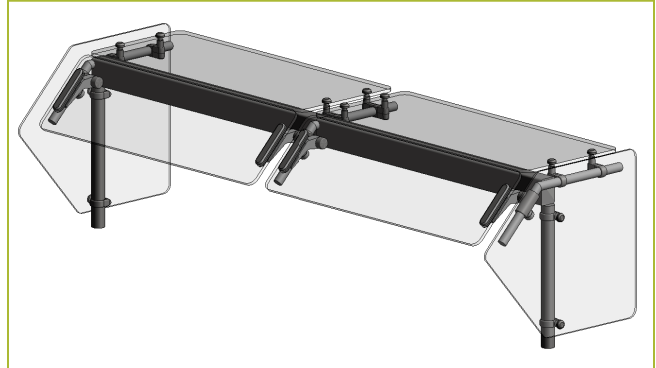
Above Counter: Millwork Counter

Under Counter: Millwork Counter
(Compression installation not recommended for solid surface countertops.)

- EZ Mount - 2" x 8" Flange
- Heavy-Duty, Inverted Flange
- Heavy-Duty, Upright Flange
- Heavy-Duty Flange
- Heavy-Duty, Inverted Flange
- Heavy-Duty, Compression Flange
- Narrow, Inverted Flange
- Narrow, Upright Flange
- Narrow Flange
- Narrow, Inverted Flange
- Narrow, Compression Flange

AG2950

Self Serve, Reinforced Span w/EZ Span Center Bracket



To meet NSF guidelines, end panels are included on all BSI quotations unless specifically excluded. (See end panel page for more details.)