

## GENERAL INFORMATION

Project Name: \_\_\_\_\_

## STANDARD FINISH

Brushed Aluminum

## GLASS THICKNESS

1/4" Tempered Glass (not for shelves)  
Centerline Max 54"

3/8" Tempered Glass (for shelf or span more than 54")  
Centerline Max 66"

1/2" Tempered Glass (for shelf or span more than 66")  
Centerline Max 72"

*Maximum span between legs on counter is recommended at 168".*

## GLASS CORNERS

1" Radius Corner (standard)

Square Corners

## LIGHT OPTIONS

LED Light Unit

Linear T-5 Fluorescent Unit

*For warmers contact BSI factory.*

## INSTALLATION OPTIONS

(See Installation Page for more details.)

### Above-Counter

Surface Installation 720A/726A: Steel Post and Flange w/Flange Cover

Surface Installation 725A: Cut Flange

### Under-Counter\*

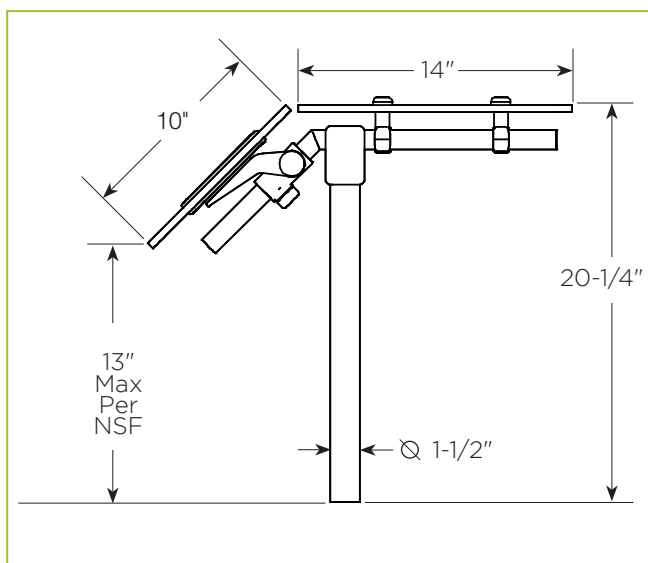
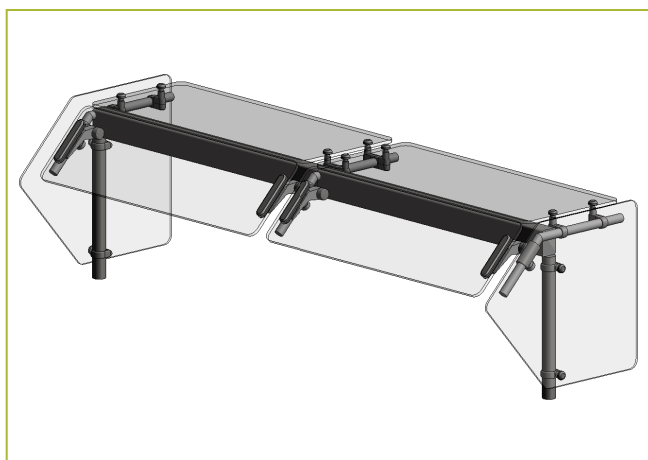
Under-Counter Installation 720A/726A: Steel Post and Flange w/Flange Cover or w/out Flange Cover

Under-Counter Installation 725A: Narrow Custom Flange

\* Requires Under-Counter Reinforcement and Access.

## AG2950

Mega Span



*To meet NSF guidelines, end panels are included on all BSI quotations unless specifically excluded. (See end panel page for more details.)*

Approval Drawings Required

Specifications subject to change without notice.

U.S. patent information is on file at BSI, LLC and available upon request.