

GENERAL INFORMATION

Project Name: _____

Item: _____

Quantity: _____

Model: CV100-2

Length: _____

OPTIONS AND ACCESSORIES

GLASS OPTIONS

- 3/8" Tempered Glass - Overall Max 66"
- 1/2" Tempered Glass - Centerline Max 72"

INSTALLATION OPTIONS

- Square Glass Clips (Secured to Counter)
- Round Glass Clips (Secured to Counter)
- Flush to Counter, Sealed with Silicone
- Custom Clamp (Secured to Counter)

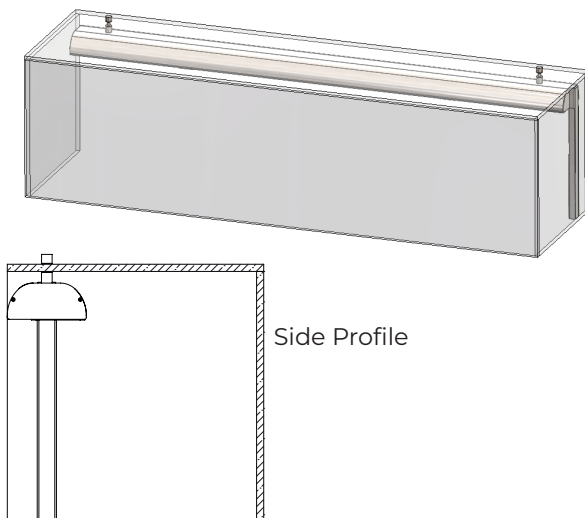
LIGHT AND WARMER OPTIONS

Light and warmer housings can be installed as stand alone units or mounted to the top glass.

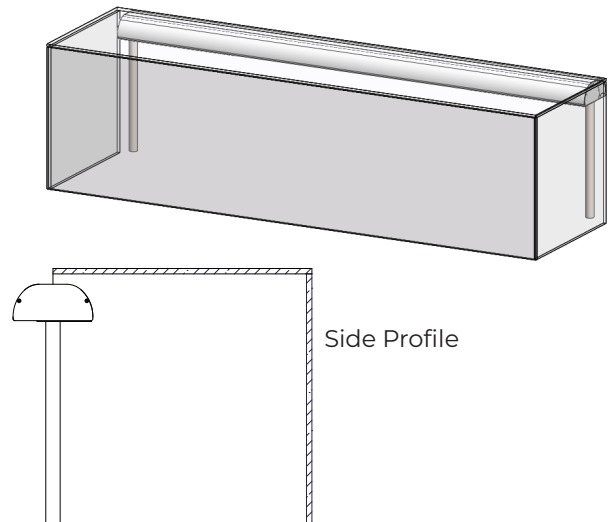
- Slimline 2580 Light-Only Unit
- Stealth 790 Heat-Only Unit
- Stealth 705 Light & Warmer Combo Unit

INSTALLATION METHODS

Light & Warmer Glass Mounted Configuration

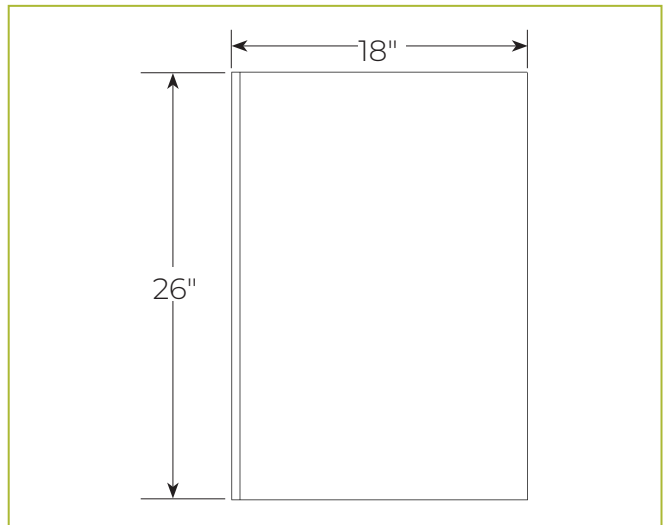


Light & Warmer Stand Alone Configuration



CV100-2

Bonded Glass, Full Service



Approval Drawings Required
Specifications subject to change without notice.



09.24