

GENERAL INFORMATION

Project Name: _____
Item: _____
Quantity: _____
Model: CP-120 _____
Length: _____

GENERAL SPECIFICATION

Materials

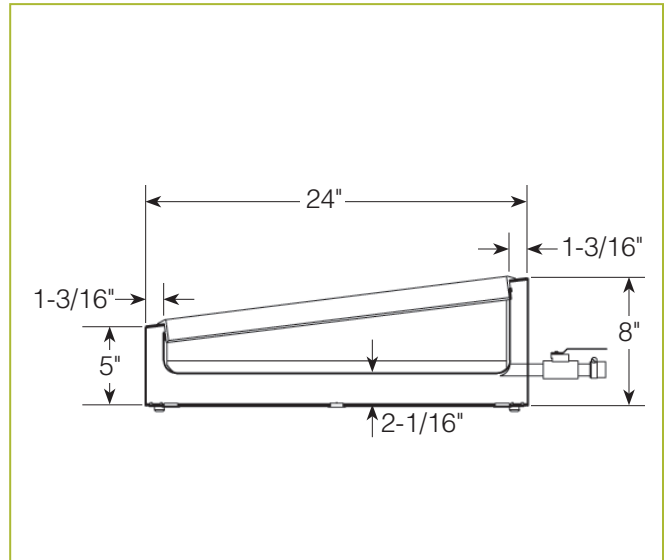
- 18-Gauge Brushed Finish Type 304 Stainless Interior Pan Liner
- 16-Gauge Brushed Finish Type 304 Stainless Exterior
- Pressure Foamed Insulation
- 1/2" Drain with Ball Valve and 60" Clear PVC Drain Tube

Construction

- NSF Standard 2 Construction
- Coved Corner Pan

CP-120

Counter-Top Marche Style Cold Pan



EXTERIOR MATERIAL OPTIONS

Hardwood Veneer: Type _____
 Hardwood (Solid): Type _____
 Plastic Laminate: Color _____
 Solid Surface: Color _____

EXTERIOR FINISH OPTIONS

Mirror Polished
 Stain: Type _____
 Powder Coat: Color _____

MODEL	CP-120-2424	CP-120-2430	CP-120-2436	CP-120-2442	CP-120-2448
Length	24"	30"	36"	42"	48"
Width	24"	24"	24"	24"	24"
Net Weight	40 lbs.	47 lbs.	55 lbs.	64 lbs.	73 lbs.
Shipping Weight	57 lbs.	63 lbs.	74 lbs.	85 lbs.	97 lbs.
Cubes	7	7	8	9	11

* Approval Drawings Required

Printed in the U.S.A. (January 2020) BSI, LLC
 Specifications subject to change without notice.