

## GENERAL INFORMATION

**Project Name:** \_\_\_\_\_  
**Item:** \_\_\_\_\_  
**Quantity:** \_\_\_\_\_  
**Model:** CP-600 \_\_\_\_\_  
**Length:** \_\_\_\_\_

## DESCRIPTION

The Custom Mechanical Drop-In, Curved Cold pan is manufactured by BSI, LLC. The maximum size is 6' on the outside radius.

For larger sizes contact the factory at 1.800.662.9595.

## GENERAL SPECIFICATION

### Materials

- 14-Gauge Brushed Finish Type 304 Stainless Interior
- 18-Gauge Brushed Finish Type 304 Stainless Exterior Below Cabinet
- 2" Pressure Foamed Installation
- 1/2" Drain with Ball Valve

### Construction

- BSI builds to NSF Standard 7 Construction
- 404 Refrigerant

### Standard Size

- 10" Unit Depth
- 2-1/2" Flange on both sides

## REFRIGERATION UNIT OPTIONS

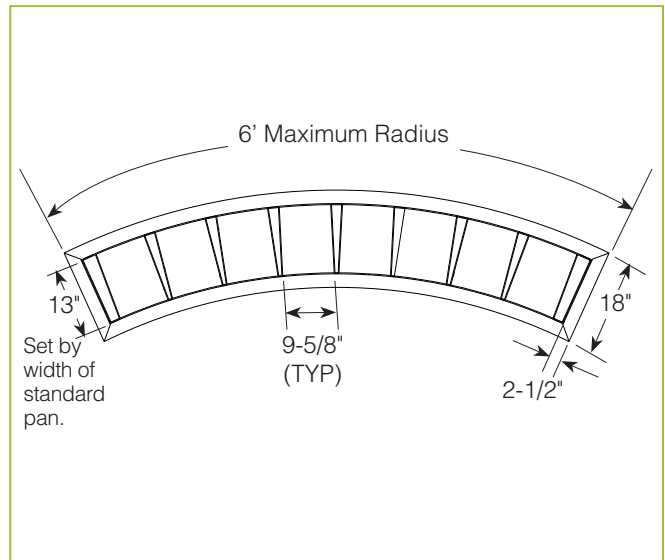
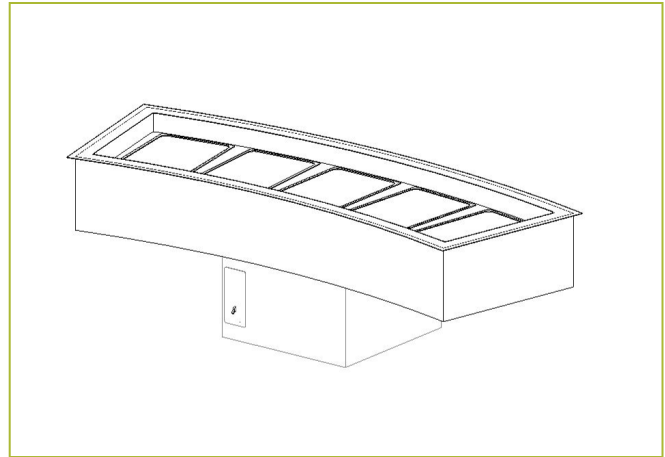
- Self-Contained (Standard)
- Remote

## PAN OPTIONS

- Perferated Pans

## CP-600

### Custom Mechanical Drop-In, Curved Cold Pan



## \* Approval Drawings Required

Printed in the U.S.A. (January 2020) BSI, LLC  
 Specifications subject to change without notice.