

GENERAL INFORMATION

Project Name: _____
Item: _____
Quantity: _____
Model: DECO-100-N
Length: _____

STANDARD NSF LISTED FINISH OPTIONS

- Stainless Steel #4 Chrome
- Gloss Black Wrinkle Black
- Smoked Copper Polished Brass Finish
- Other _____

TUBE OPTIONS

- 1-1/2" Round (standard) 1" Round Diameter
- 1" Square 1-1/2" Square

GLASS THICKNESS

- 1/4" Tempered Glass (not for shelves)
Centerline Max 54"
- 3/8" Tempered Glass (standard) (for shelf or span
more than 54") Centerline Max 66"
- 1/2" Tempered Glass (for shelf or span more than
66") Centerline Max 72"

GLASS PANEL OPTIONS

- Full Perimeter Channel

INSTALLATION OPTIONS

- Above-Counter:** Round Tube
 - Narrow Flange Round Flange
- Above-Counter:** Square Tube
- Under-Counter:** Round Tube
- Under-Counter:** Square Tube

See installation pages for more information.

Approval drawings required.

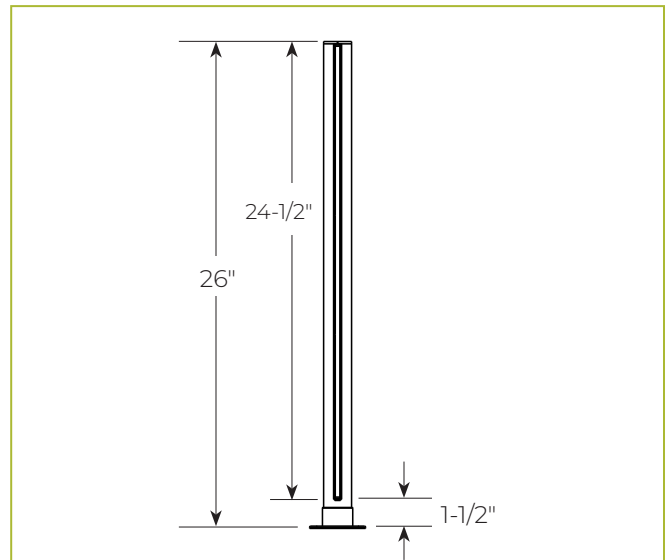
Specifications subject to change without notice.

DECO-100-N

Vertical Operator-Serve Food Shield



Shown without end panels.



To meet NSF guidelines, end panels are included on all BSI quotations unless specifically excluded.

Glass ships separate from posts.