

GENERAL INFORMATION

Project Name: _____
Item: _____
Quantity: _____
Model: DECO-270-N
Length: _____

GENERAL SPECIFICATION

- 2" x 3/16" Stainless Flat Bar Base
- 1" Telescoping Square Tubing Uprights
- 1-1/4" Stainless Steel Square Tubing
- Adjustable Glass Angle
- Six Vertical Height Adjustments

STANDARD NSF LISTED FINISH OPTIONS

- | | |
|---|--|
| <input type="checkbox"/> Stainless Steel #4 | <input type="checkbox"/> Chrome |
| <input type="checkbox"/> Gloss Black | <input type="checkbox"/> Wrinkle Black |
| <input type="checkbox"/> Smoked Copper | <input type="checkbox"/> Polished Brass Finish |
| <input type="checkbox"/> Other _____ | |

GLASS THICKNESS

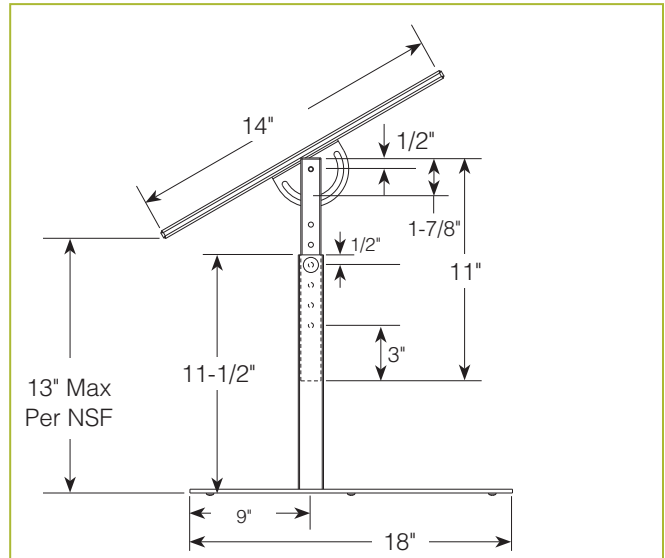
- 1/4" Tempered Glass (not for shelves)
Centerline Max 54"
- 3/8" Tempered Glass (standard) (for shelf or span more than 54")
Centerline Max 66"
- 1/2" Tempered Glass (for shelf or span more than 66")
Centerline Max 72"

GLASS PANEL OPTIONS

- Full Perimeter Channel

DECO-270-N

Portable Self-Serve Food Shield



To meet NSF guidelines, end panels are included on all BSI quotations unless specifically excluded.

Glass Shipped Separately from Posts

*** Approval Drawings Required**