

GENERAL INFORMATION

Project Name: _____
Item: _____
Quantity: _____
Model: DECO-302-N
Length: _____

STANDARD NSF LISTED FINISH OPTIONS

- | | |
|---|--|
| <input type="checkbox"/> Stainless Steel #4 | <input type="checkbox"/> Chrome |
| <input type="checkbox"/> Gloss Black | <input type="checkbox"/> Wrinkle Black |
| <input type="checkbox"/> Smoked Copper | <input type="checkbox"/> Polished Brass Finish |
| <input type="checkbox"/> Other _____ | |

TUBE OPTIONS

- | | |
|---|--|
| <input type="checkbox"/> 1" Square (standard) | <input type="checkbox"/> 1-1/2" Square |
| <input type="checkbox"/> 1"x2" Rectangle | |

GLASS THICKNESS

- | |
|---|
| <input type="checkbox"/> 1/4" Tempered Glass (not for shelves)
Centerline Max 54" |
| <input type="checkbox"/> 3/8" Tempered Glass (standard) (for shelf or span more than 54")
Centerline Max 66" |
| <input type="checkbox"/> 1/2" Tempered Glass (for shelf or span more than 66")
Centerline Max 72" |

GLASS PANEL OPTIONS

- | |
|---|
| <input type="checkbox"/> Full Perimeter Channel |
|---|

TOP SHELF OPTIONS

- | | |
|---|--|
| <input type="checkbox"/> 1/2" Tempered Glass | <input type="checkbox"/> 3/8" Tempered Glass |
| <input type="checkbox"/> #8 Mirror Polished Brass | |
| <input type="checkbox"/> Stainless: <input type="checkbox"/> #4 Brushed <input type="checkbox"/> #8 Mirror Polished | |
| <input type="checkbox"/> Powder Coated | Color _____ |
| <input type="checkbox"/> Solid Surface | Material _____ |

FRONT GLASS OPTIONS

- | |
|---|
| <input type="checkbox"/> Full Height Fixed Lower Tier Glass |
| <input type="checkbox"/> Half Height Removable Lower Tier Glass |
| <input type="checkbox"/> Full Height Fixed Upper Tier Glass |
| <input type="checkbox"/> Flip-Up Glass Front |

INSTALLATION OPTIONS

- | |
|--|
| <input type="checkbox"/> Above-Counter: Square/Rectangle Tube |
| <input type="checkbox"/> Under-Counter: Square/Rectangle Tube |

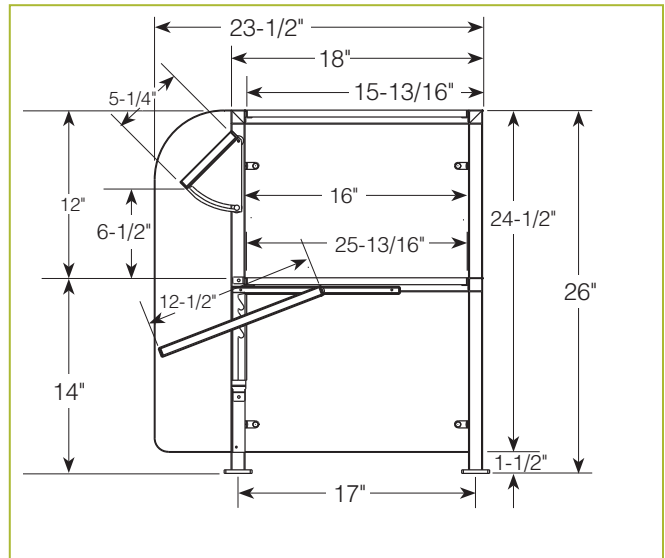
See Installation Page for More Information.

* Approval Drawings Required

Specifications subject to change without notice.

DECO-302-N

Self-Serve Food Shield



To meet NSF guidelines, end panels are included on all BSI quotations unless specifically excluded.

Shipped Fully Assembled

LIGHT AND WARMER OPTIONS

- | |
|---|
| <input type="checkbox"/> LED Light Unit |
| <input type="checkbox"/> Linear T-5 Fluorescent Unit |
| <input type="checkbox"/> BSI Stealth™ Linear Heat Only Unit |
| <input type="checkbox"/> BSI Stealth™ Linear Heat and Light Combo Unit (Fluorescent) |
| <input type="checkbox"/> BSI Stealth™ Linear Heat and Light Combo Unit (LED) |
| <input type="checkbox"/> BSI Stealth™ Linear Double Heat and Light Combo Unit (Fluorescent) |
| <input type="checkbox"/> BSI Stealth™ Linear Double Heat and Light Combo Unit (LED) |
| <input type="checkbox"/> Hatco® Brand Heat Only Unit |
| <input type="checkbox"/> Hatco® Brand Heat and Light Combo Unit |

Structural enhancements or mounting might be required to support heat light options.