

GENERAL INFORMATION

Project Name: _____
Item: _____
Quantity: _____
Model: DECO-332-N
Length: _____

STANDARD NSF LISTED FINISH OPTIONS

- | | |
|---|--|
| <input type="checkbox"/> Stainless Steel #4 | <input type="checkbox"/> Chrome |
| <input type="checkbox"/> Gloss Black | <input type="checkbox"/> Wrinkle Black |
| <input type="checkbox"/> Smoked Copper | <input type="checkbox"/> Polished Brass Finish |
| <input type="checkbox"/> Other _____ | |

TUBE OPTIONS

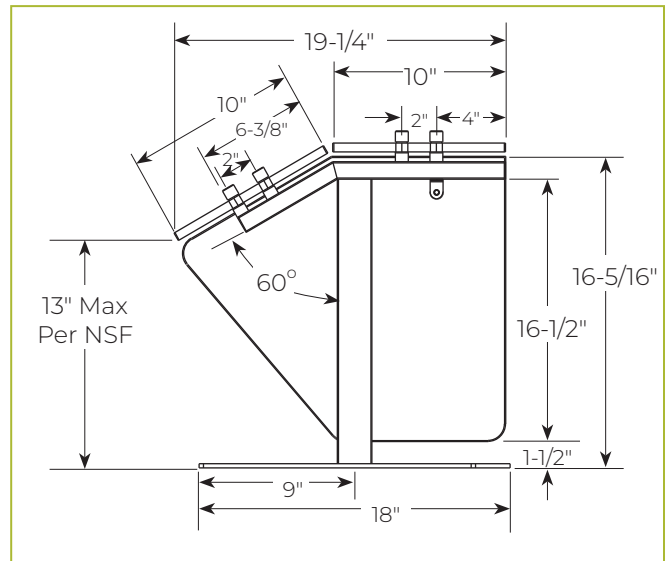
- | |
|---|
| <input type="checkbox"/> 1"x2" Rectangle (standard) |
| <input type="checkbox"/> 1" Square <input type="checkbox"/> 1-1/2" Square |

GLASS THICKNESS

- | |
|---|
| <input type="checkbox"/> 1/4" Tempered Glass (not for shelves)
Centerline Max 54" |
| <input type="checkbox"/> 3/8" Tempered Glass (standard) (for shelf or span
more than 54") Centerline Max 66" |
| <input type="checkbox"/> 1/2" Tempered Glass (for shelf or span more than
66") Centerline Max 72" |

DECO-332-N

Portable Self-Serve Food Shield



To meet NSF guidelines, end panels are included on all BSI quotations unless specifically excluded.

Ships fully assembled.