

GENERAL INFORMATION

Project Name: _____

Item: _____

Quantity: _____

Model: DECO-334-N

Length: _____

STANDARD NSF LISTED FINISH OPTIONS

- Stainless Steel #4
- Chrome
- Gloss Black
- Wrinkle Black
- Smoked Copper
- Polished Brass Finish
- Other _____

TUBE OPTIONS

- 1"x2" Rectangle (standard)
- 1" Square
- 1-1/2" Square

GLASS THICKNESS

- 1/4" Tempered Glass (not for shelves)
Centerline Max 54"
- 3/8" Tempered Glass (standard) (for shelf or span
more than 54") Centerline Max 66"
- 1/2" Tempered Glass (for shelf or span more than
66") Centerline Max 72"

INSTALLATION OPTIONS

- Above-Counter:** Square/Rectangle Tube
- Under-Counter:** Square/Rectangle Tube

See installation pages for more information.

LIGHT AND WARMER OPTIONS

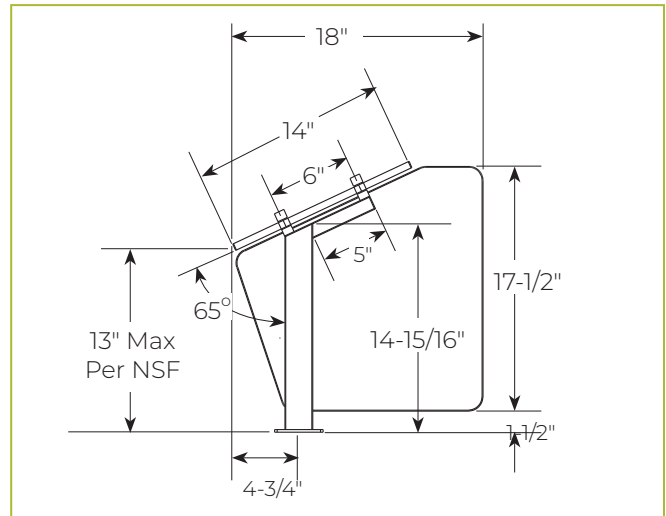
- 2580 Slimline LED Light
- 790 Stealth Warmer Unit
- 705 Stealth Light/Warmer Combo Unit
- 500 Stealth Heat/Light/Heat Combo Unit

Structural enhancements or mounting might be required to support heat light options.

Approval drawings required.

Specifications subject to change without notice.

DECO-334-N Self-Serve Food Shield



To meet NSF guidelines, end panels are included on all BSI quotations unless specifically excluded.

Ships fully assembled.