

## GENERAL INFORMATION

**Project Name:** \_\_\_\_\_  
**Item:** \_\_\_\_\_  
**Quantity:** \_\_\_\_\_  
**Model:** DECO-802-N  
**Length:** \_\_\_\_\_

## STANDARD NSF LISTED FINISH OPTIONS

- |   |  |
|---|--|
| <input type="checkbox"/> Stainless Steel #4 | <input type="checkbox"/> Chrome                |
| <input type="checkbox"/> Gloss Black        | <input type="checkbox"/> Wrinkle Black         |
| <input type="checkbox"/> Smoked Copper      | <input type="checkbox"/> Polished Brass Finish |
| <input type="checkbox"/> Other _____        |  |

## TUBE OPTIONS

- 1-1/2" Round (standard)     1" Round

## GLASS THICKNESS

- 1/4" Tempered Glass (not for shelves)  
 Centerline Max 54"
- 3/8" Tempered Glass (standard) (for shelf or span  
 more than 54") Centerline Max 66"
- 1/2" Tempered Glass (for shelf or span more than  
 66") Centerline Max 72"

## GLASS PANEL OPTIONS

- Full Perimeter Channel

## TOP SHELF OPTIONS

- |   |   |
|---|---|
| <input type="checkbox"/> 1/2" Tempered Glass      | <input type="checkbox"/> 3/8" Tempered Glass                                    |
| <input type="checkbox"/> #8 Mirror Polished Brass |   |
| <input type="checkbox"/> Stainless:               | <input type="checkbox"/> #4 Brushed <input type="checkbox"/> #8 Mirror Polished |
| <input type="checkbox"/> Powder Coated            | Color _____   |
| <input type="checkbox"/> Solid Surface            | Material _____  |

## INSTALLATION OPTIONS

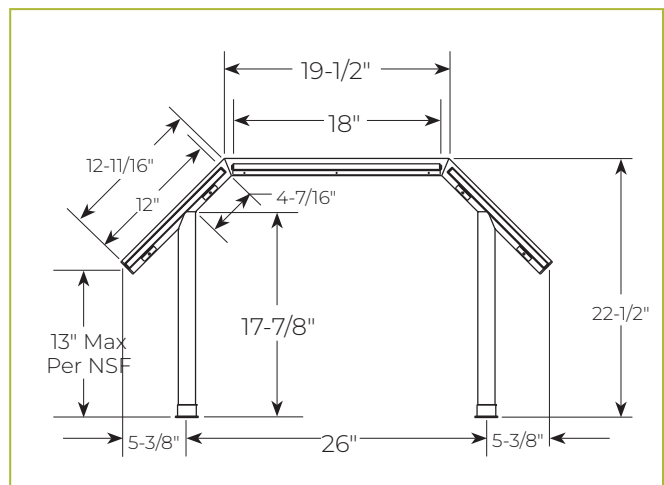
- Above-Counter:** Round Tube
   
 Narrow Flange     Round Flange
- Under-Counter:** Round Tube

See installation pages for more information.

Approval drawings required.  
 Specifications subject to change without notice.

## DECO-802-N

### Self-Serve Four-Sided Food Shield



To meet NSF guidelines, end panels are included on all BSI quotations unless specifically excluded.

*Ships fully assembled.*

## LIGHT AND WARMER OPTIONS

- 2580 Slimline LED Light
- 790 Stealth Warmer Unit
- 705 Stealth Light/Warmer Combo Unit
- 500 Stealth Heat/Light/Heat Combo Unit

Structural enhancements or mounting might be required to support heat light options.