

## GENERAL INFORMATION

**Project Name:** \_\_\_\_\_  
**Item:** \_\_\_\_\_  
**Quantity:** \_\_\_\_\_  
**Model:** DECO-820-N  
**Length:** \_\_\_\_\_

## STANDARD NSF LISTED FINISH OPTIONS

- |                                             |                                                |
|---------------------------------------------|------------------------------------------------|
| <input type="checkbox"/> Stainless Steel #4 | <input type="checkbox"/> Chrome                |
| <input type="checkbox"/> Gloss Black        | <input type="checkbox"/> Wrinkle Black         |
| <input type="checkbox"/> Smoked Copper      | <input type="checkbox"/> Polished Brass Finish |
| <input type="checkbox"/> Other _____        |                                                |

## TUBE OPTIONS

- |                                                  |                                        |
|--------------------------------------------------|----------------------------------------|
| <input type="checkbox"/> 1-1/2" Round (standard) | <input type="checkbox"/> 1" Round      |
| <input type="checkbox"/> 1" Square               | <input type="checkbox"/> 1-1/2" Square |

## GLASS THICKNESS

- |                                                                                                                 |
|-----------------------------------------------------------------------------------------------------------------|
| <input type="checkbox"/> 1/4" Tempered Glass (not for shelves)<br>Centerline Max 54"                            |
| <input type="checkbox"/> 3/8" Tempered Glass (standard) (for shelf or span<br>more than 54") Centerline Max 66" |
| <input type="checkbox"/> 1/2" Tempered Glass (for shelf or span more than<br>66") Centerline Max 72"            |

## GLASS PANEL OPTIONS

- |                                                 |
|-------------------------------------------------|
| <input type="checkbox"/> Full Perimeter Channel |
|-------------------------------------------------|

## TOP SHELF OPTIONS

- |                                                   |                                                                                 |
|---------------------------------------------------|---------------------------------------------------------------------------------|
| <input type="checkbox"/> 1/2" Tempered Glass      | <input type="checkbox"/> 3/8" Tempered Glass                                    |
| <input type="checkbox"/> #8 Mirror Polished Brass |                                                                                 |
| <input type="checkbox"/> Stainless:               | <input type="checkbox"/> #4 Brushed <input type="checkbox"/> #8 Mirror Polished |
| <input type="checkbox"/> Powder Coated            | Color _____                                                                     |
| <input type="checkbox"/> Solid Surface            | Material _____                                                                  |

## INSTALLATION OPTIONS

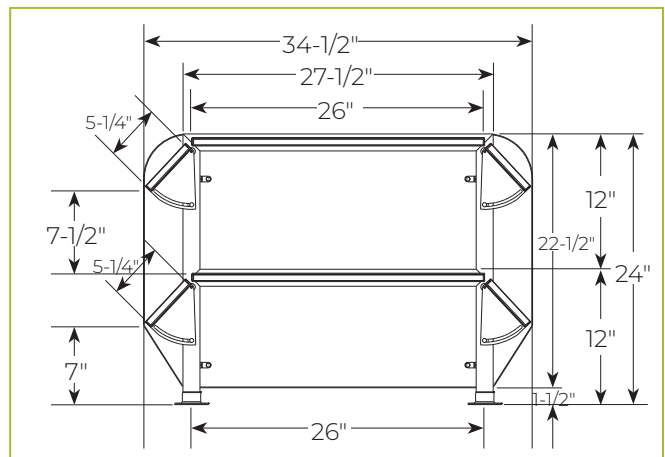
- |                                                            |                                       |
|------------------------------------------------------------|---------------------------------------|
| <input type="checkbox"/> <b>Above-Counter:</b> Round Tube  |                                       |
| <input type="checkbox"/> Narrow Flange                     | <input type="checkbox"/> Round Flange |
| <input type="checkbox"/> <b>Above-Counter:</b> Square Tube |                                       |
| <input type="checkbox"/> <b>Under-Counter:</b> Round Tube  |                                       |
| <input type="checkbox"/> <b>Under-Counter:</b> Square Tube |                                       |

See installation pages for more information.

Approval drawings required.  
Specifications subject to change without notice.

## DECO-820-N

*Self-Serve Double-Sided, Two-Tier  
Food Shield*



To meet NSF guidelines, end panels are included on all BSI quotations unless specifically excluded.

*Shelf is restricted to wrapped or packaged food.*

*Ships fully assembled.*

## LIGHT AND WARMER OPTIONS

- |                                                                 |
|-----------------------------------------------------------------|
| <input type="checkbox"/> 2580 Slimline LED Light                |
| <input type="checkbox"/> 790 Stealth Warmer Unit                |
| <input type="checkbox"/> 705 Stealth Light/Warmer Combo Unit    |
| <input type="checkbox"/> 500 Stealth Heat/Light/Heat Combo Unit |

Structural enhancements or mounting might be required to support heat light options.