

GENERAL INFORMATION

Project Name: _____

STANDARD SPECIFICATIONS

Finish: Steel Gray Pearl
 Remote Toggle Switch
 Housing: Aluminum Extrusion

OPTIONS AND ACCESSORIES

OPTIONAL SWITCH

Internal Toggle Switch

WIRING EXIT POINT OPTIONS

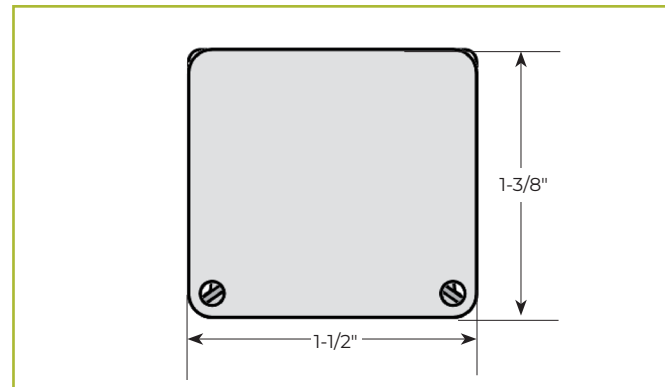
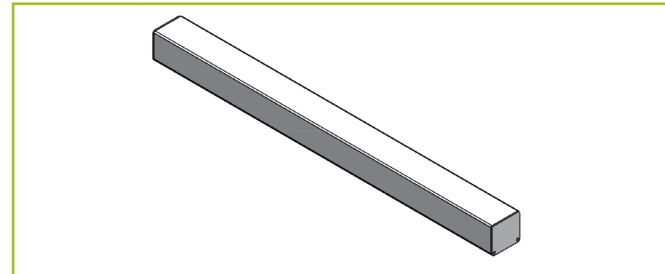
Top End

Helios lights ship unassembled and require mounting and wiring at time of installation. Contact BSI for details.

INFORMATION FOR LED BULB

Temperature	3000K
Average Rated Life (hr):	50,000
Color Rendering Index (CRI)	90
Diodes	50 per foot
Electrical	110-250V
Frequency	50/60Hz
Amp Per Foot @ 110V	0.04
Watts Per Foot	5
Lumens Per Foot	515

2580E Helios Slimline LED Light



LED DRIVER

HOUSING LENGTH*	MODULE LENGTH	FREQUENCY	AMPS @ 120V	AMPS @ 208V	AMPS @240V	WATTS
15"-20"	12"	50/60 Hz	0.042	0.024	0.021	5W
21"-26"	18"	50/60 Hz	0.058	0.034	0.029	7W
27"-32"	12" & 12"	50/60 Hz	0.083	0.048	0.042	10W
33"-38"	12" & 18"	50/60 Hz	0.1	0.058	0.05	12W
39"-44"	36"	50/60 Hz	0.125	0.072	0.063	15W
45"-50"	12" (2) & 18"	50/60 Hz	0.142	0.082	0.071	17W
51"-56"	48"	50/60 Hz	0.167	0.096	0.083	20W

* Rounded up to the nearest inch.

For larger sizes, BSI will configure bulb combinations to best fit housing.