

## GENERAL INFORMATION

Project Name: \_\_\_\_\_

## STANDARD SPECIFICATIONS

- 1" Round Brushed Stainless Steel #4 Posts
- 3/8" Clear Tempered Front Glass Panels (max. span 66")
- 1/4" Clear Tempered Glass End Panels

## OPTIONS AND ACCESSORIES

### NSF-LISTED FINISH OPTIONS

- Brushed Stainless Steel #4 (Standard)
- Stainless Steel #8 (Chrome)
- Powder Coat Color: RAL # \_\_\_\_\_

### GLASS FINISHES

- Clear (Standard)
- Low-Iron
- Frosted
- Frosted Logo/Imprint
- Pattern

### GLASS PANEL OPTIONS

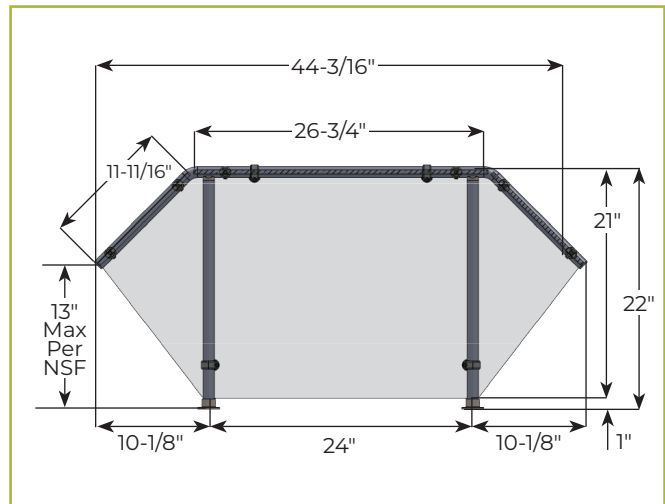
- 1/4" Glass (max. span 54")
- 3/8" Glass (max. span 66") (Standard)
- 1/2" Glass (max. span 72")

### MOUNTING OPTIONS

BSI offers a variety of above counter and under counter mount installation solutions based on countertop material. See Mounting Options page for more details.

## EM125-2

*Self Service w/Top Shelf,  
U-Shaped Posts w/Angle*



To meet NSF guidelines, end panels are included on all BSI quotations unless specifically excluded. (See end panel page for more details).

## LIGHT AND WARMER OPTIONS

Model #	Description
<input type="checkbox"/> 705E	Helios® Light & Warmer Unit
<input type="checkbox"/> 2580E	Helios® Light Unit