

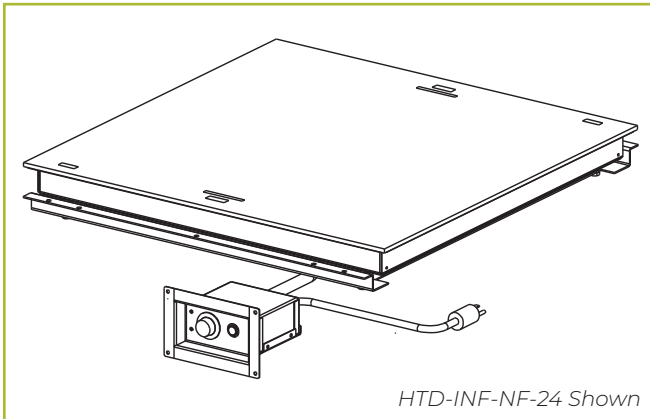
GENERAL INFORMATION

Project Name: _____

STANDARD SPECIFICATIONS

- ❑ Voltage: 120V
- ❑ Max Temp: 250°
- ❑ Standard Color: Black
- ❑ Surface Material: Ceramic

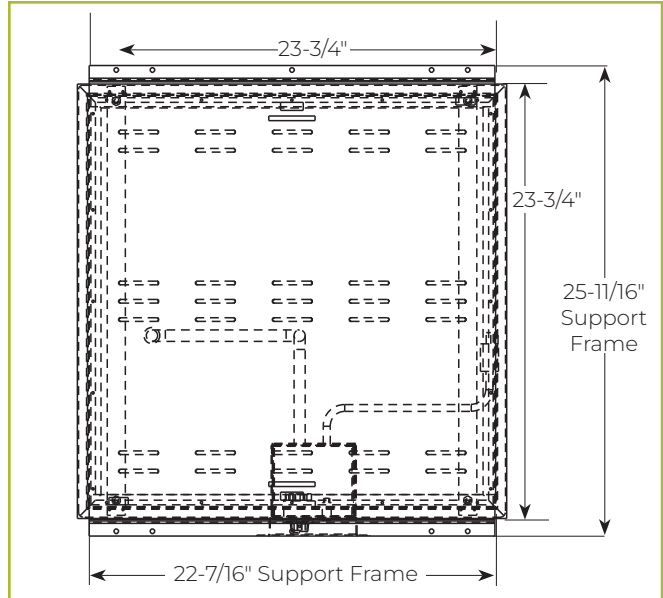
Also available in 220 and 240 volts. Contact BSI for details.



HTD-INF-NF-24 Shown

HTD-INF-NF

Glass Ceramic Heated
Drop-in Display (No Flange)



MODEL	HTD-INF-NF-24	HTD-INF-NF-36	HTD-INF-NF-48	HTD-INF-NF-60	HTD-INF-NF-72
LENGTH (cutout size)	23-3/4" (23-15/16")	35-3/4" (35-15/16")	47-1/2" (47-11/16")	59-1/2" (59-11/16")	71-1/2" (71-11/16")
WIDTH (cutout size)	23-3/4" (23-15/16")	23-3/4" (23-15/16")	23-3/4" (23-15/16")	23-3/4" (23-15/16")	23-3/4" (23-15/16")
CONTROL BOX (cutout size)	6-1/4" x 4" (5" x 2-3/4")	6-1/4" x 4" (5" x 2-3/4")	9-1/4" x 4" (8" x 2-3/4")	9-1/4" x 4" (8" x 2-3/4")	9-1/4" x 4" (8" x 2-3/4")
ELECTRICAL SERVICES	120V/3.94A	120V/6.12A	120V/7.88A	120V/10.06A	120V/12.24A
NET WEIGHT	40 lbs.	67 lbs.	102 lbs.	122 lbs.	157 lbs.
SHIPPING WEIGHT	62 lbs.	87 lbs.	122 lbs.	142 lbs.	177 lbs.

