

GENERAL INFORMATION

Project Name: _____

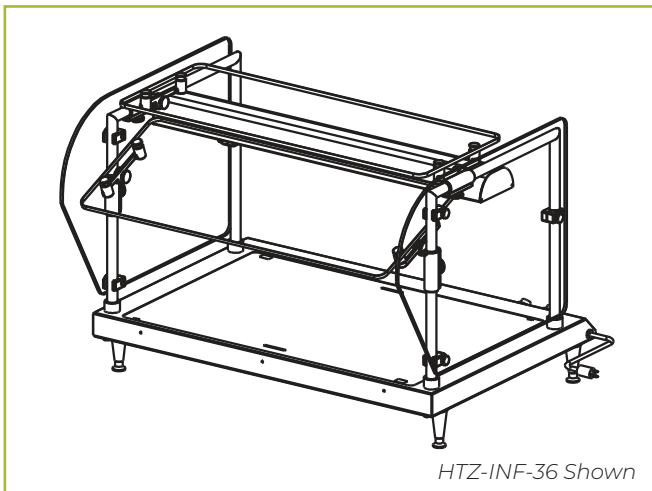
STANDARD SPECIFICATIONS

- Voltage: 120V
- Max Temp: 250°
- Standard Color: Black
- Surface Material: Ceramic
- ZGuard™ 9930 Food Shield w/End Panels
- Stealth 705 Light & Warmer Combo Unit

OPTIONS AND ACCESSORIES

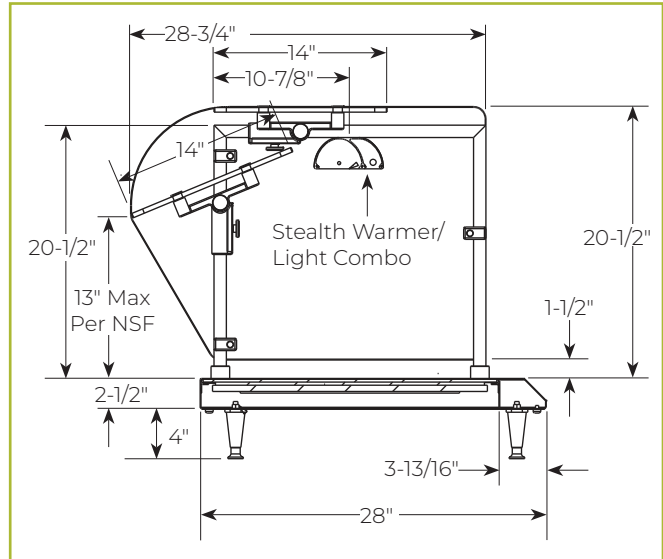
FLANGE & ZGUARD™ FINISH OPTIONS

- Brushed Stainless Steel #4 (Standard)
- Stainless Steel #8 (Chrome)
- Powdercoat RAL: _____



HTZ-INF

Portable Heated Display



MODEL	HTZ-INF-24	HTZ-INF-36	HTZ-INF-48	HTD-INF-NF-60
LENGTH	28-7/16"	40-7/16"	54-1/2"	66-1/2"
WIDTH	28"	28"	28"	28"
ELECTRICAL SERVICES	120V/7.12A (1 plug)	120V/12.5A (1 plug)	120V 7.12A Cord 1 7.12A Cord 2	120V 12.5A Cord 1 12.5A Cord 2
NEMA CONFIG.	5-15P	5-15P	5-15P (2 plugs)	5-15P (2 plugs)
NET WEIGHT	106 lbs.	167 lbs.	236 lbs.	292 lbs.
SHIPPING WEIGHT	131 lbs.	192 lbs.	261 lbs.	317 lbs.