

GENERAL INFORMATION

Project Name: _____

STANDARD SPECIFICATIONS

- 1" Diameter Stainless Steel Posts
- 3/8" Clear Tempered Front Glass Panels (max. span 66")
- 3/8" Clear Tempered Glass Top Shelf (max. span 66")
- Max Center Line Post-to-Post Span = 78"
- 1/4" Clear Tempered Glass End Panels
- 1" Radius Glass Corners

OPTIONS AND ACCESSORIES

NSF-LISTED FINISH OPTIONS

- | | |
|--|--|
| <input type="checkbox"/> Brushed Aluminum (Standard) | <input type="checkbox"/> Stainless Steel #8 (Chrome) |
| <input type="checkbox"/> Gloss Black | <input type="checkbox"/> Matte Black |
| <input type="checkbox"/> Prismatic Brass | <input type="checkbox"/> Wrinkle Black |
| <input type="checkbox"/> Statuary Bronze | <input type="checkbox"/> Smoked Copper |
| <input type="checkbox"/> Other _____ | |

GLASS FINISHES

- | | |
|---|---|
| <input type="checkbox"/> Clear (Standard) | <input type="checkbox"/> Low Iron |
| <input type="checkbox"/> Frosted | <input type="checkbox"/> Frosted Logo/Imprint |
| <input type="checkbox"/> Pattern | |

GLASS CORNERS

- | | |
|---|---|
| <input type="checkbox"/> 1" Radius Corners (Standard) | <input type="checkbox"/> Square Corners |
|---|---|

GLASS PANEL OPTIONS

- | | |
|---|--|
| <input type="checkbox"/> 1/4" Glass (max. span 54") | <input type="checkbox"/> 3/8" Glass (max. span 66") (Standard) |
| <input type="checkbox"/> 1/2" Glass (max. span 72") | |

INSTALLATION OPTIONS

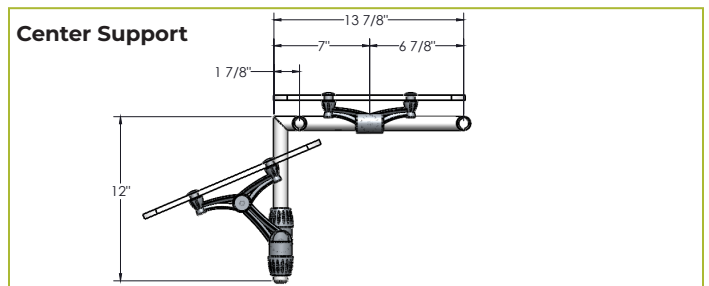
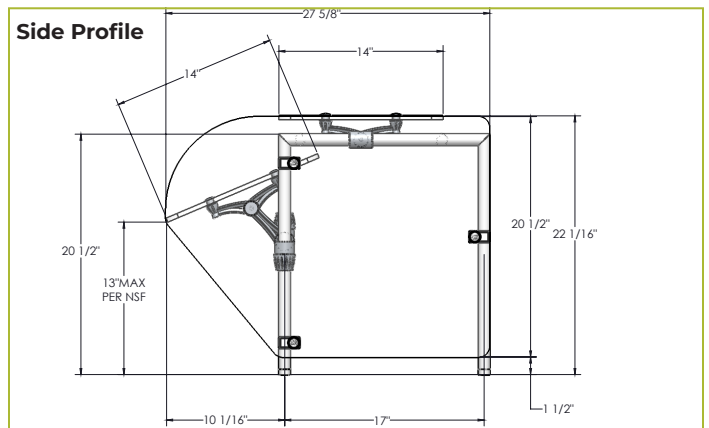
- Above Counter:** Stainless Steel Counter
Under Counter: Stainless Steel Counter
 (Requires Under-Counter Reinforcement & Access)
- Above Counter:** Millwork Counter
Under Counter: Millwork Counter

Approval Drawings Required
 Specifications subject to change without notice.

XG3935 ClearSpan Single-Sided w/Top Shelf



To meet NSF guidelines, end panels are included on all BSI quotations unless specifically excluded. (See end panel page for more details.)



LIGHT AND WARMER OPTIONS

Model #	Description
<input type="checkbox"/> 2580	Slimline LED Light
<input type="checkbox"/> 790	Stealth Warmer
<input type="checkbox"/> 705	Stealth Light & Warmer
<input type="checkbox"/> 500	Stealth Heat/Light/Heat Combo

All BSI light and warmer units are UL Listed. See light and warmer spec sheets for detailed information. Acces is also available with other manufacturers' heat and light units. Contact BSI for details.

- | | |
|--|--|
| <input type="checkbox"/> SS1: EZ Mount 2" x 8" Flange | <input type="checkbox"/> SSU3-N: Narrow Flange |
| <input type="checkbox"/> SSU3-H: Heavy-Duty Flange | <input type="checkbox"/> SSU5-N: Narrow Flange |
| <input type="checkbox"/> SSU5-H: Heavy-Duty Flange | <input type="checkbox"/> MW2: Narrow Flange |
| <input type="checkbox"/> MW1: Heavy-Duty Flange | <input type="checkbox"/> MWU5: Heavy-Duty Flange |
| <input type="checkbox"/> MWU3: Narrow Flange | |
| <input type="checkbox"/> MWU4: Compression Installation (not recommended for solid surfaces) | |

