

GENERAL INFORMATION

Project Name: _____
Item: _____
Quantity: _____
Model: ZG9500-6
Length: _____

STANDARD NSF LISTED FINISH OPTIONS

- | | |
|---|--|
| <input type="checkbox"/> Stainless Steel #4 | <input type="checkbox"/> Chrome |
| <input type="checkbox"/> Gloss Black | <input type="checkbox"/> Wrinkle Black |
| <input type="checkbox"/> Smoked Copper | <input type="checkbox"/> Polished Brass Finish |
| <input type="checkbox"/> Other _____ | |

GLASS THICKNESS

- | |
|--|
| <input type="checkbox"/> 1/4" Tempered Glass (not for shelves)
Centerline Max 54" |
| <input type="checkbox"/> 3/8" Tempered Glass (for shelf or span more than 54")
Centerline Max 66" |

GLASS CORNERS

- | | |
|--|---|
| <input type="checkbox"/> 1" Radius Corner (standard) | <input type="checkbox"/> Square Corners |
|--|---|

INSTALLATION OPTIONS

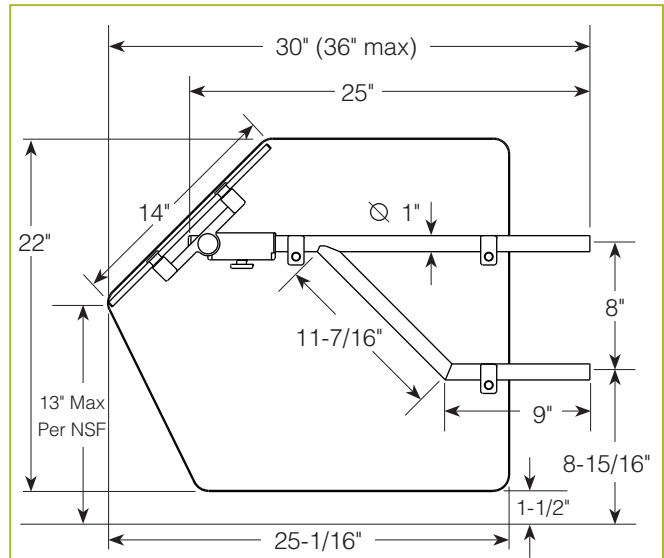
Mounting Method

- | |
|---|
| <input type="checkbox"/> MW1: Heavy-Duty Flange |
|---|

Contact factory for optional mounting methods.

ZG9500-6

Wall Mount



To meet NSF guidelines, end panels are included on all BSI quotations unless specifically excluded. (See End Panel Page for More Details.)

* Approval Drawings Required