

## GENERAL INFORMATION

Project Name: \_\_\_\_\_

### STANDARD NSF LISTED FINISH OPTIONS

- Brushed Aluminum       Chrome
- Gloss Black               Wrinkle Black
- Smoked Copper         Polished Brass Finish
- Other \_\_\_\_\_

### GLASS THICKNESS

- 1/4" Tempered Glass (not for shelves)  
Centerline Max 54"
- 3/8" Tempered Glass (for shelf or span more  
than 54") Centerline Max 66"
- 1/2" Tempered Glass (for shelf or span more than  
66") Centerline Max 72"

### GLASS CORNERS

- 1" Radius Corner (standard)
- Square Corners

## INSTALLATION OPTIONS

Above Counter: Stainless Steel Counter

Under Counter: Stainless Steel Counter  
(Requires Under Counter Reinforcement & Access)

Above-Counter: Millwork Counter

Under-Counter: Millwork Counter

SS1: EZ Mount 2" x 8" Flange

SSU3-H: Heavy-Duty Flange

SSU3-N: Narrow Flange

SSU5-H: Heavy-Duty Flange

SSU5-N: Narrow Flange

MW1: Heavy-Duty Flange

MW2: Narrow Flange

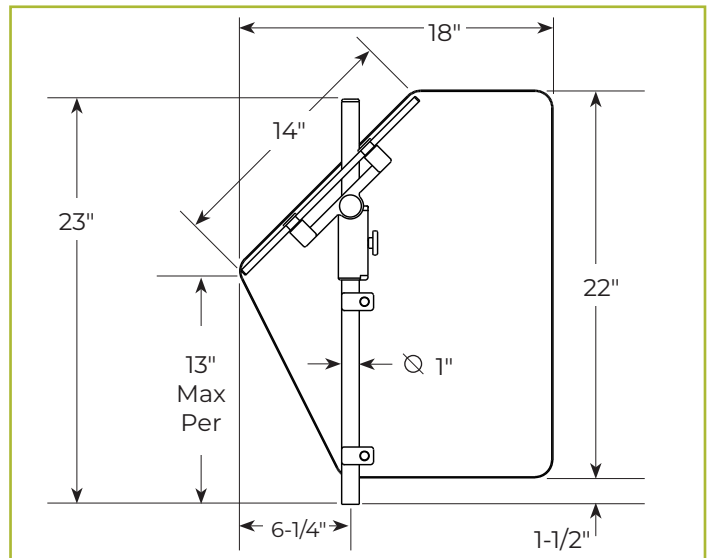
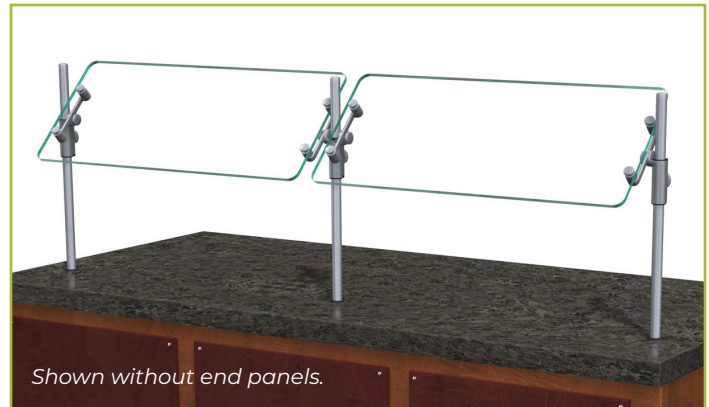
MWU3: Narrow Flange

MWU4: Compression Installation  
(not recommended for solid surfaces)

MWU5: Heavy-Duty Flange

## ZG9500

Combo Serve



To meet NSF guidelines, end panels are included on all BSI quotations unless specifically excluded. (See End Panel Page for More Details.)

Approval Drawings Required.  
Specifications subject to change without notice.



03.25