

## GENERAL INFORMATION

Project Name: \_\_\_\_\_

### STANDARD NSF LISTED FINISH OPTIONS

- Brushed Aluminum     Chrome
- Gloss Black             Wrinkle Black
- Smoked Copper         Polished Brass Finish
- Other \_\_\_\_\_

### GLASS THICKNESS

- 1/4" Tempered Glass (not for shelves)  
Centerline Max 54"
- 3/8" Tempered Glass (for shelf or span more  
than 54") Centerline Max 66"

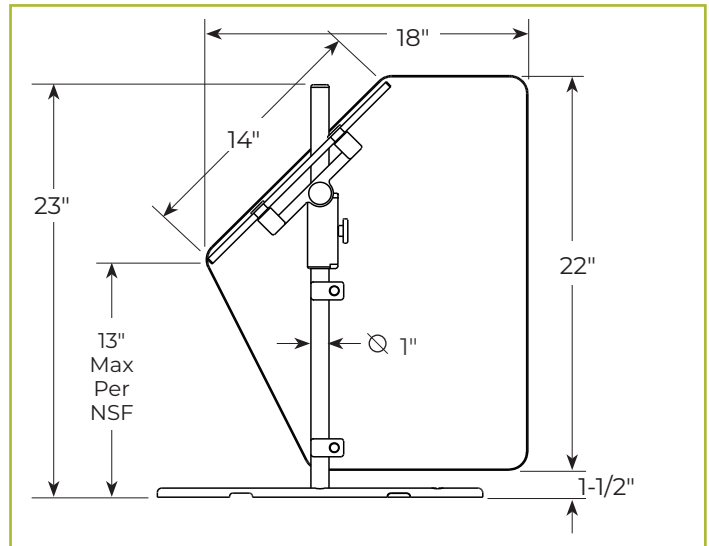
For overall dimension greater than 47", call BSI.

### GLASS CORNERS

- 1" Radius Corner             Square Corners  
(standard)

## ZG9600

### Portable Market Guard



To meet NSF guidelines, end panels are included on all BSI quotations unless specifically excluded. (See End Panel Page for More Details.)