

GENERAL INFORMATION

Project Name: _____

STANDARD SPECIFICATIONS

- 1" Diameter Stainless Steel Posts
- 3/8" Clear Tempered Front Glass Panels (max. span 66")
- 3/8" Clear Tempered Glass Top Shelf (max. span 66")
- Max Center Line Post-to-Post Span = 78"
- 1/4" Clear Tempered Glass End Panels
- 1" Radius Glass Corners

OPTIONS AND ACCESSORIES

NSF-LISTED FINISH OPTIONS

- Brushed Aluminum (Standard)
- Stainless Steel #8 (Chrome)
- Gloss Black
- Matte Black
- Prismatic Brass
- Wrinkle Black
- Statuary Bronze
- Smoked Copper
- Other _____

GLASS FINISHES

- Clear (Standard)
- Low Iron
- Frosted
- Frosted Logo/Imprint
- Pattern

GLASS CORNERS

- 1" Radius Corners (Standard)
- Square Corners

GLASS PANEL OPTIONS

- 1/4" Glass (max. span 54")
- 3/8" Glass (max. span 66") (Standard)
- 1/2" Glass (max. span 72")

INSTALLATION OPTIONS

Above Counter: Stainless Steel Counter
Under Counter: Stainless Steel Counter
 (Requires Under-Counter Reinforcement & Access)
Above Counter: Millwork Counter
Under Counter: Millwork Counter

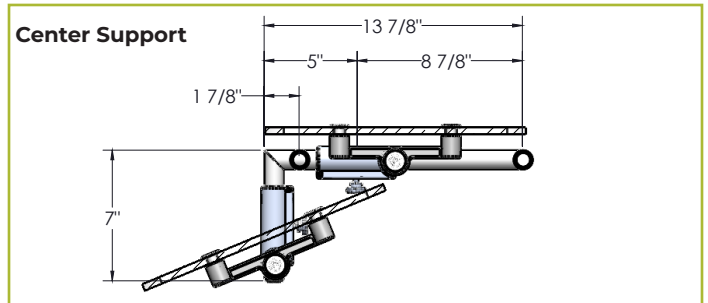
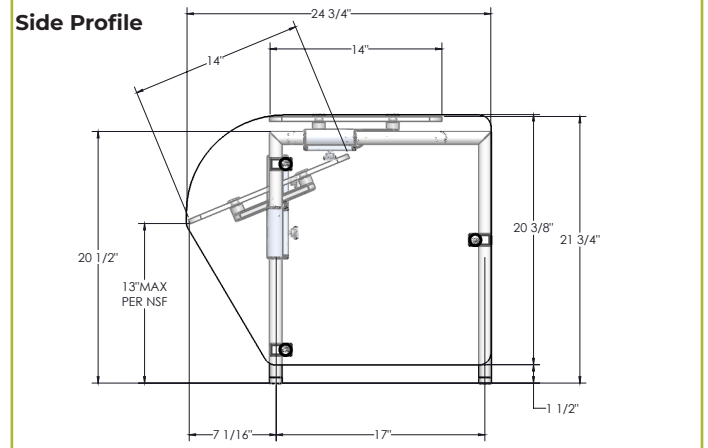
Approval Drawings Required.
 Specifications subject to change without notice.

ZG9935 ClearSpan

Self Serve w/Top Shelf, U-Shaped End Posts
 w/ Shortened Center Post



To meet NSF guidelines, end panels are included on all BSI quotations unless specifically excluded. (See End Panel Page for More Details.)



LIGHT AND WARMER OPTIONS

- | Model # | Description |
|-------------------------------|-------------------------------|
| <input type="checkbox"/> 2580 | Slimline LED Light |
| <input type="checkbox"/> 790 | Stealth Warmer |
| <input type="checkbox"/> 705 | Stealth Light & Warmer |
| <input type="checkbox"/> 500 | Stealth Heat/Light/Heat Combo |

- SSI: EZ Mount 2" x 8" Flange
- SSU3-H: Heavy-Duty Flange
- SSU5-H: Heavy-Duty Flange
- MW1: Heavy-Duty Flange
- MWU3: Narrow Flange
- MWU4: Compression Installation (not recommended for solid surfaces)
- SSU3-N: Narrow Flange
- SSU5-N: Narrow Flange
- MW2: Narrow Flange
- MWU5: Heavy-Duty Flange



03.25